

FLAT ENCLOSURE HEATER

RC 016 | 8 W, 10 W, 13 W



- > Wide voltage range
- > PTC resistor heats up dynamically
- > High heating output per volume
- > Compact dimensions

Small enclosure heaters as the RC 016 are used to evenly distribute heat within compact enclosures thereby protecting electronic components from harmful condensation. Used as a convection heater, the RC 016 heats up the immediate ambient air. When used as a contact heater, a surface connection with the component to be heated or the enclosure housing is necessary. This compact heater is designed for continuous operation. The unique design of its clamping increases its longevity due to the minimisation of load through thermal cycles.

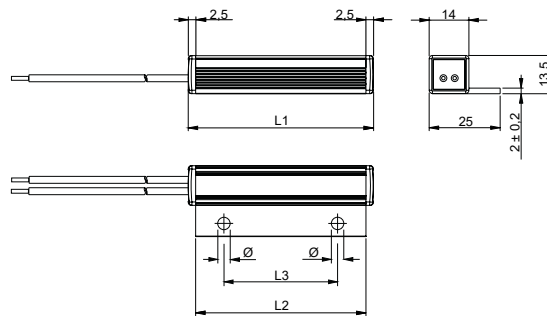
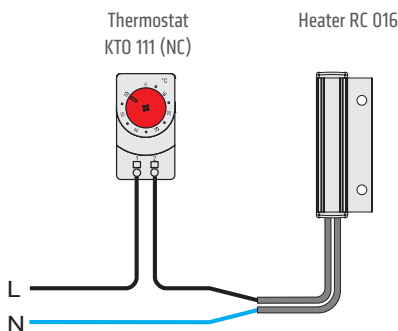


TECHNICAL DATA

Operating voltage	AC/DC 120 – 240 V ¹ (min. 110 V, max. 265 V)
Heating element	PTC resistor – temperature limiting
Heater body	aluminium, anodised
Surface temperature	< +180 °C (+356 °F)
Connection	2 x AWG 20 stranded wire, 300 mm (±8)
Mounting	screw fixing
Fitting position	variable
Operating temperature	VDE: -45 to +70 °C (-49 to +158 °F) UL: -45 to +40 °C (-49 to +104 °F)
Storage temperature	-45 to +70 °C (-49 to +158 °F)
Operating/Storage humidity	< 90 % RH (non-condensing)
Protection type/Protection class	IP40 / II (double insulated)
Approvals	VDE, UL File No. E234324, EAC
Note	other voltages on request

¹ Operating with voltages below AC/DC 140 V reduces heating performance by approx. 10 %.

Example of connection



Art. No.	Heating capacity ²	Inrush current max.	Dimensions				Weight (approx.)
			L1	L2	L3	Ø	
01651.0-00	8 W	2,0 A	35 mm	30 mm	18 mm	3,2 mm	20 g
01662.0-00	10 W	2,5 A	55 mm	50 mm	30 mm	4,5 mm	30 g
01673.0-00	13 W	3,0 A	65 mm	60 mm	40 mm	4,5 mm	40 g

² at +20 °C (+68 °F) ambient temperature