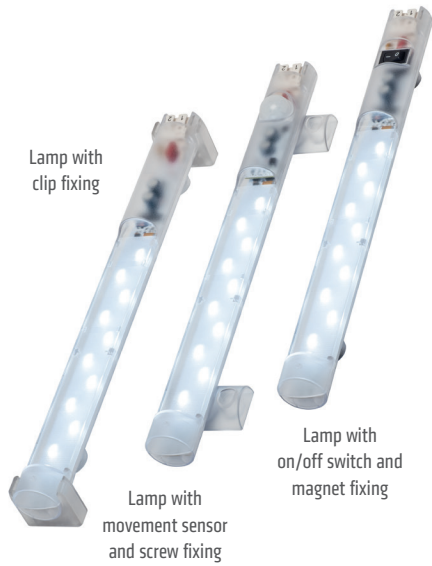


ECOLINE LAMP

LED 025



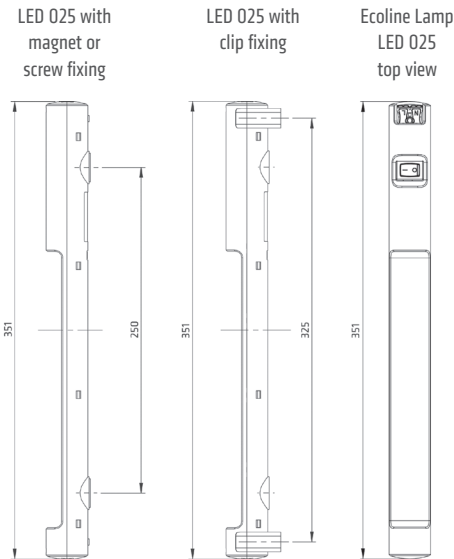
- > Wide voltage range
- > Integrated power unit
- > Dual pressure connection clamp
- > Daisy chain
- > Magnet, screw or clip fixing
- > Long-lived and maintenance-free by LED technology

The lamp series LED 025 is suitable for all types of panels and enclosures, especially where space is at a premium. The lamps have a very long service life thanks to the use of LED technology. Three different fixing options provide more flexibility for installation. The Ecoline series is a simplified version of the standard LED 025 lamp and has a dual pressure clamp for connection instead of connectors. Nonetheless it is suitable for daisy-chaining and allows for up to 10 lamps to be connected to each other.

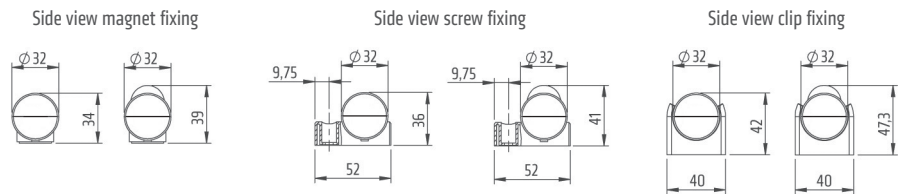


TECHNICAL DATA

| | |
|----------------------------------|---|
| Power consumption | max. 4 W |
| Luminous flux | 400 Lm at 120° |
| Lamp type | LED, angle of radiation 120° light color: daylight, color temperature: 6,000 K to 7,000 K |
| Service life | 60,000 h at +20 °C (+68 °F) |
| Connection | 2-pole dual pressure clamp for rigid wire 2.5 mm ² , stranded wire (with wire end ferrule) 1.5 mm ² |
| Mounting | magnet fixing or screw fixing (M5), clip fixing (M6), torque 2 Nm max. |
| Casing | plastic, transparent |
| Dimensions | see drawings |
| Weight | 0.2 kg |
| Operating/Storage temperature | -40 to +60 °C (-40 to +140 °F) / -40 to +85 °C (-40 to +185 °F) |
| Operating/Storage humidity | max. 90 % RH (non-condensing) |
| Protection type/Protection class | IP20 / II (double insulated) |



Mounting options: The lamps are available with magnet fixing for easy positioning in any steel cabinet or enclosure. A classic is the LED 025 with screw fixing. The clip holders exclusively designed for clip fixing of the LED 025 can be positioned anywhere in the cabinet by simply screwing the holders to the cabinet wall. The lamp is snapped into the clip holders and can be turned in both directions. With a total rotation angle of 180° it provides perfect illumination within the cabinet or enclosure.



| Art. No. Magnet fixing | Art. No. Screw fixing | Art. No. Clip fixing | Operating voltage | Switch | Approvals | | |
|------------------------|-----------------------|----------------------|---|----------------------------------|----------------------------------|---------------------|---------|
| 02540.3-10 | 02540.3-11 | 02540.3-13 | AC 100 – 240 V, 50/60 Hz (min. AC 90 V, max. AC 265 V) DC 90 – 110 V (min. DC 80 V, max. DC 125 V) | on/off light switch | VDE (REG.-Nr. E788) ¹ | UL File No. E234324 | CCC EAC |
| 02541.3-10 | 02541.3-11 | 02541.3-13 | AC 100 – 240 V, 50/60 Hz (min. AC 90 V, max. AC 265 V) DC 90 – 110 V (min. DC 80 V, max. DC 125 V) | PIR movement sensor ² | VDE (REG.-Nr. E788) ¹ | UL File No. E234324 | CCC EAC |
| 02542.3-10 | 02542.3-11 | 02542.3-13 | AC 100 – 240 V, 50/60 Hz (min. AC 90 V, max. AC 265 V) DC 90 – 110 V (min. DC 80 V, max. DC 125 V) | N/A | VDE (REG.-Nr. E788) ¹ | UL File No. E234324 | CCC EAC |
| 02540.1-10 | 02540.1-11 | 02540.1-13 | DC 24 – 48 V (min. DC 20 V, max. DC 60 V) | on/off light switch | VDE (REG.-Nr. E788) ¹ | UL File No. E234324 | CCC EAC |
| 02541.1-10 | 02541.1-11 | 02541.1-13 | DC 24 – 48 V (min. DC 20 V, max. DC 60 V) | PIR movement sensor ² | VDE (REG.-Nr. E788) ¹ | UL File No. E234324 | CCC EAC |
| 02542.1-10 | 02542.1-11 | 02542.1-13 | DC 24 – 48 V (min. DC 20 V, max. DC 60 V) | N/A | VDE (REG.-Nr. E788) ¹ | UL File No. E234324 | CCC EAC |

¹ VDE Certificate of Conformity (REG.-Nr. E788); ² approx. 5 min. fixed switch-on duration
Note: The lamp must not be used for household lighting.